

N-TYPE MONO CRYSTALLINE HALF CUT MODULE - SINGLE GLASS

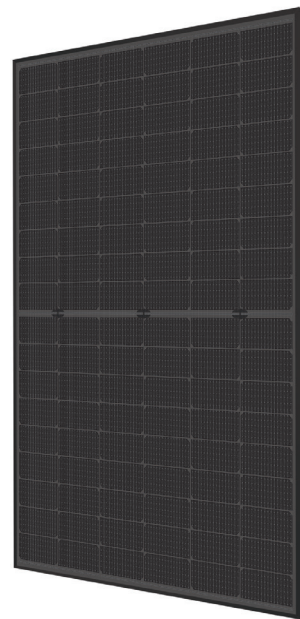
440 / 445 / 450 / 455 / 460 Watts

Lynx Series



Overview

N-type solar cells (TOPCon) are seen as the technology of the future. N-type (TopCon) technology guarantees high performance and low degradation of the PV module, substantially improving the results and the yield in the time. "Lynx" Series module is the ideal solution for end users who want a Quality PV & reliable product over time and a fast turnaround on their investments.



Guaranteed mechanical resistance to severe weather conditions



Positive Tolerance



100 % electro-luminescence tested

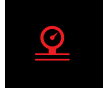
Key Benefits



Zero light induced Degradation



30 Years Limited Product Warranty



Higher yield per surface area



Low Pmax Temperature Coefficient



Low LCOE

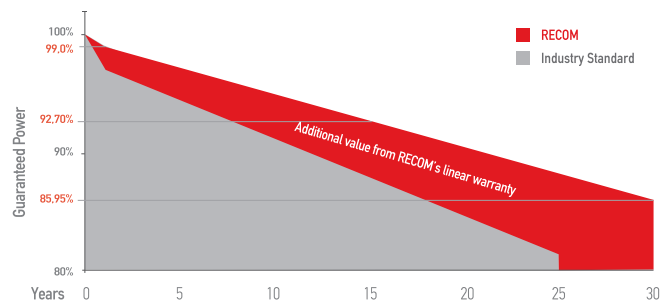


Higher Light Conversion

Tests, Certifications and Warranties

Standard Tests	IEC 61215, IEC 61730
Factory Quality Tests	ISO 9001: 2015, ISO 14001: 2015
Certifications	Conformity to CE, PV CYCLE Fire safety Class C according to UL790
Wind and Snow Loads Testing	Module certified to withstand extreme wind (2400 Pascal) and snow loads (5400 Pascal)
Withstanding Hail	Maximum Diameter of 25 mm with impact speed of 23 m/s
Power Tolerance	Guaranteed +0/+5W (STC condition)
Warranties	<ul style="list-style-type: none"> • 30-year limited product warranty • 15-year manufacturer warranty on 92.70% of the nominal performance • 30-year transferable linear power output warranty

Linear Performance Warranty



First Year Output $\geq 99.0\%$ 2-30 Year Decline $\leq 0.45\%$ 30 Year Output $\geq 85.95\%$

Lynx

N-TYPE MONO CRYSTALLINE HALF CUT MODULE - SINGLE GLASS

RCM-xxx-7NG (xxx=440-460)

Electrical Characteristics

POWER CLASS ⁽¹⁾			440		445		450		455		460	
Testing Condition			STC	NMOT	STC	NMOT	STC	NMOT	STC	NMOT	STC	NMOT
Maximum Power	P _{max}	[Wp]	440	334,70	445	338,40	450	342,20	455	345,90	460	349,70
Maximum Power Voltage	V _{mp}	[V]	31,80	29,90	32,00	30,10	32,20	30,30	32,40	30,50	32,60	30,70
Maximum Power Current	I _{mp}	[A]	13,84	11,17	13,91	11,23	13,98	11,29	14,05	11,34	14,12	11,40
Open Circuit Voltage	V _{oc}	[V]	38,30	36,30	38,50	36,50	38,70	36,70	38,90	36,90	39,10	37,10
Short Circuit Current	I _{sc}	[A]	14,59	11,77	14,66	11,83	14,73	11,88	14,80	11,94	14,87	12,00
Module Efficiency	Eff	[%]	22,02		22,27		22,52		22,77		23,02	
Maximum Series Fuse	I _R	[A]	30									
Maximum System Voltage	V _{sys}	[V]	1500V DC									

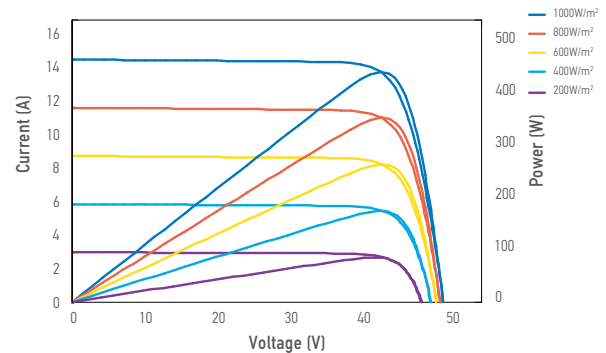
(1) Measurement Tolerances: I_{sc} & V_{oc} (± 3%) - Power Classification 0/+5W
 (2) STC (Standard Testing Condition): Irradiance 1000W/m², Cell Temperature 25°C, AM 1.5
 (3) NMOT (Nominal Operating Module Temperature): Irradiance 800W/m², NMOT, Ambient Temperature 20°C, AM 1.5, Wind Speed 1m/s

Mechanical Data

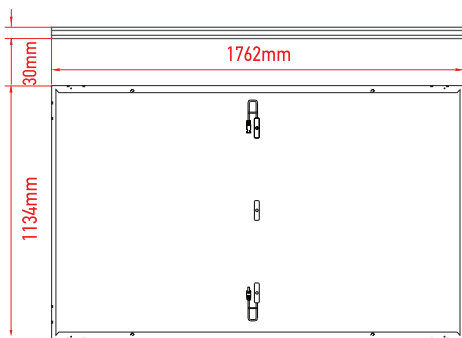
Dimensions	1762 mm x 1134 mm x 30 mm
Weight	22,0 Kg
Cell Type	N-Type (2 x 54 Pcs) - M10R
Front Glass	3.2mm High Transmission, AR Coated Heat Strengthened Glass
Rear Side	Anti-aging film
Frame	Anodized Aluminium Alloy
Junction Box	IP68 - 3 Bypass Diodes
Connector	MC4 compatible
Output cable	4.0mm ² -Length: 1200mm or customized

I-V Curve

The module relative power loss at low light irradiance of 200W/m² is less than 3%.



Dimensions



RECOM assumes no liability or responsibility for any typographical error, layout error, misinformation, any other error, omission, contained herein.

Temperature Characteristics

P _{max} Temperature Coefficient	-0.28% / °C
V _{oc} Temperature Coefficient	-0.23% / °C
I _{sc} Temperature Coefficient	+0.045% / °C
Operating Temperature	-40~+85 °C
Nominal Operating Module Temperature (NMOT)	44 ± 2 °C

Packing Configuration

Container	40'HC
Pieces per Pallet	36
Pallets per Container	26
Pieces per Container	(36+36)x13=936 pcs