

## N-TYPE MONO CRYSTALLINE HALF CUT MODULE - BACK CONTACT TECHNOLOGY

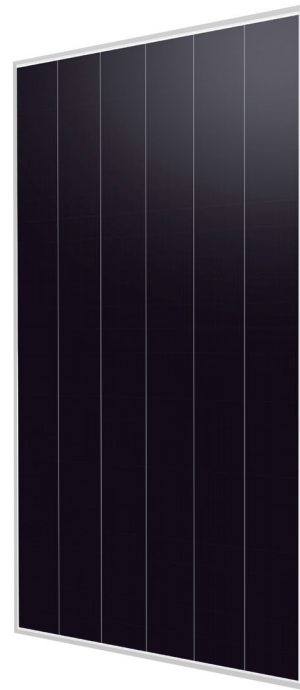
470 / 475 / 480 / 485 / 490 / 495 Watts

### BLACK TIGER SERIES



### Overview

Black Tiger modules provide numerous benefits to customers seeking a high-quality product with exceptional performance and aesthetic, captivating design. The "Black Tiger" module utilizes N-Type cell technology in conjunction with a rear connection method known as BackContact. As a result, there is 0% front grid shadow loss, which increases the PV module's yield. Due to reduced shading on the front of the cell, the module maximizes total cell area realizing higher efficiency and resulting in a fast return on investment.



Guaranteed mechanical resistance to severe weather conditions



Positive Tolerance



100 % electro-luminescence tested

### Key Benefits



Zero Light Induced Degradation



25 Years Limited Product Warranty



0% Front Grid Shading Loss



Low Pmax Temperature Coefficient



Low LCOE

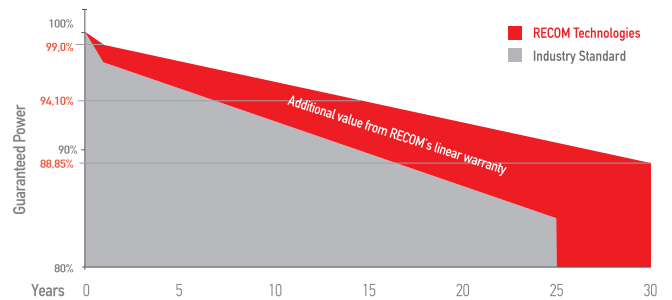


Higher Light Conversion

### Tests, Certifications and Warranties

Standard Tests	IEC 61215, IEC 61730
Factory Quality Tests	ISO 9001: 2015, ISO 14001: 2015
Certifications	Conformity to CE, PV CYCLE Fire safety Class C according to UL790
Wind and Snow Loads Testing	Module certified to withstand extreme wind (2400 Pascal) and snow loads (5400 Pascal)
Withstanding Hail	Maximum Diameter of 25 mm with impact speed of 23 m/s
Power Tolerance	Guaranteed +0/+5W (STC condition)
Warranties	<ul style="list-style-type: none"> <li>25-year limited product warranty</li> <li>15-year manufacturer warranty on 94,10% of the nominal performance</li> <li>30-year transferable linear power output warranty</li> </ul>

### Linear Performance Warranty



First Year Output  $\geq 99.0\%$     2-30 Year Decline  $\leq 0.35\%$     30 Year Output  $\geq 88,85\%$

# Black Tiger

## N-TYPE MONO CRYSTALLINE HALF CUT MODULE - BACK CONTACT TECHNOLOGY

RCM-xxx-7RCG (xxx=470-495)

### Electrical Characteristics

POWER CLASS <sup>(1)</sup>		470		475		480		485		490		495	
Testing Condition		STC <sup>(2)</sup>	NMOT <sup>(3)</sup>	STC	NMOT	STC	NMOT	STC	NMOT	STC	NMOT	STC	NMOT
Maximum Power	Pmax [Wp]	470	356	475	360	480	364	485	367	490	371	495	375
Maximum Power Voltage	Vmp [V]	34,00	32,26	34,10	32,35	34,20	32,45	34,30	32,54	34,40	32,64	34,50	32,73
Maximum Power Current	Imp [A]	13,83	11,05	13,94	11,14	14,04	11,22	14,15	11,31	14,25	11,39	14,35	11,48
Open Circuit Voltage	Voc [V]	40,60	38,52	40,70	38,61	40,80	38,71	40,90	38,80	41,00	38,90	41,10	38,99
Short Circuit Current	Isc [A]	14,70	11,88	14,76	11,93	14,82	11,97	14,88	12,02	14,94	12,07	15,00	12,12
Module Efficiency	Eff [%]	23,5		23,8		24,0		24,3		24,5		24,8	
Maximum Series Fuse	IR [A]	25											
Maximum System Voltage	Vsys [V]	1500V DC (IEC)											

(1) Measurement Tolerances: Pmax (± 3%), Isc & Voc (± 3%) - Power Classification 0/+5W

(2) STC (Standard Testing Condition): Irradiance 1000W/m<sup>2</sup>, Cell Temperature 25°C, AM 1.5

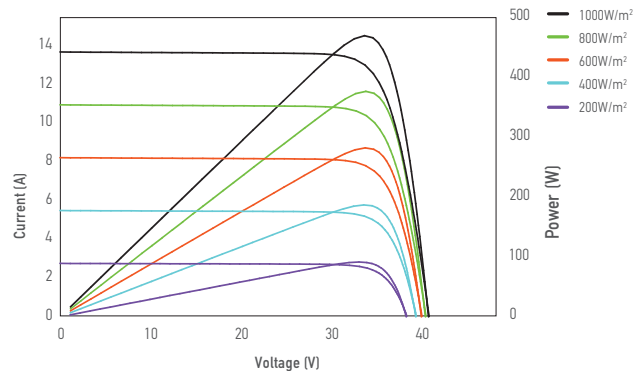
(3) NMOT (Nominal Operating Module Temperature): Irradiance 800W/m<sup>2</sup>, NMOT, Ambient Temperature 20°C, AM 1.5, Wind Speed 1m/s

### Mechanical Data

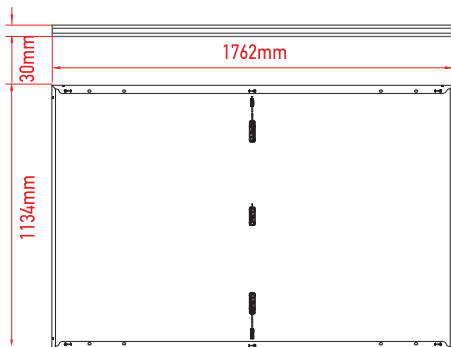
Dimensions	1762 mm x 1134 mm x 30 mm
Weight	21,0 Kg
Cell Type	N-Type 182mm x 91mm (2 x 54 Pcs) - G10
Front Glass	3.2 mm Tempered and low iron glass + ARC
Rear Side	High water resistant backsheets (Black)
Frame	Anodized Aluminium Alloy
Junction Box	IP68, 3 Bypass diodes
Connector	MC4 - EV02
Output cable	4mm <sup>2</sup> - Length: 1200 mm or can be customized

### I-V Curve

The module relative power loss at low light irradiance of 200W/m<sup>2</sup> is less than 3%.



### Dimensions



RECOM assumes no liability or responsibility for any typographical error, layout error, misinformation, any other error, omission, contained herein.

### Temperature Characteristics

Pmax Temperature Coefficient	-0.26% / °C
Voc Temperature Coefficient	-0.22% / °C
Isc Temperature Coefficient	+0.05% / °C
Operating Temperature	-40~+85 °C
Nominal Operating Module Temperature (NMOT)	42 ± 2 °C

### Packing Configuration

Container	40' HC
Pieces per Pallet	37
Pallets per Container	26
Pieces per Container	(37+37)x13=962 pcs