

N-TYPE MONO CRYSTALLINE HALF CUT MODULE - BACK CONTACT TECHNOLOGY

440 / 445 / 450 / 455 / 460 / 465 / 470 Watts

BLACK TIGER SERIES



Overview

Black Tiger modules provide numerous benefits to customers seeking a high-quality product with exceptional performance and aesthetic, captivating design. The "Black Tiger" module utilizes N-Type cell technology in conjunction with a rear connection method known as BackContact. As a result, there is 0% front grid shadow loss, which increases the PV module's yield. Due to reduced shading on the front of the cell, the module maximizes total cell area realizing higher efficiency and resulting in a fast return on investment.



Guaranteed mechanical resistance to severe weather conditions



Positive Tolerance



100 % electro-luminescence tested

Key Benefits



Zero Light Induced Degradation



25 Years Limited Product Warranty



0% Front Grid Shading Loss



Low Pmax Temperature Coefficient



Low LCOE

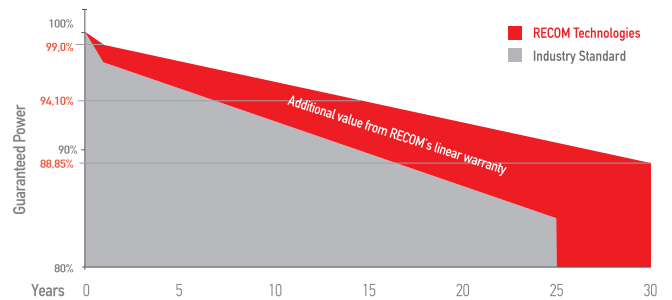


Higher Light Conversion

Tests, Certifications and Warranties

Standard Tests	IEC 61215, IEC 61730
Factory Quality Tests	ISO 9001: 2015, ISO 14001: 2015
Certifications	Conformity to CE, PV CYCLE Fire safety Class C according to UL790
Wind and Snow Loads Testing	Module certified to withstand extreme wind (2400 Pascal) and snow loads (5400 Pascal)
Withstanding Hail	Maximum Diameter of 25 mm with impact speed of 23 m/s
Power Tolerance	Guaranteed +0/+5W (STC condition)
Warranties	<ul style="list-style-type: none"> • 25-year limited product warranty • 15-year manufacturer warranty on 94,10% of the nominal performance • 30-year transferable linear power output warranty

Linear Performance Warranty



First Year Output $\geq 99.0\%$ 2-30 Year Decline $\leq 0.35\%$ 30 Year Output $\geq 88,85\%$

Black Tiger

N-TYPE MONO CRYSTALLINE HALF CUT MODULE - BACK CONTACT TECHNOLOGY

RCM-xxx-7RCG (xxx=440-470)

Electrical Characteristics

POWER CLASS ⁽¹⁾		440		445		450		455		460		465		470	
Testing Condition		STC ⁽²⁾ NMOT ⁽³⁾		STC NMOT		STC NMOT		STC NMOT		STC NMOT		STC NMOT		STC NMOT	
Maximum Power	P _{max} [Wp]	440	331	445	335	450	339	455	343	460	346	465	350	470	358
Maximum Power Voltage	V _{mp} [V]	34,38	32,47	34,44	32,52	34,50	32,58	34,56	32,64	34,62	32,69	34,68	32,75	34,74	32,86
Maximum Power Current	I _{mp} [A]	12,80	10,22	12,93	10,32	13,05	10,41	13,17	10,51	13,29	10,61	13,41	10,71	13,54	10,90
Open Circuit Voltage	V _{oc} [V]	40,82	38,55	40,88	38,60	40,94	38,66	41,00	38,72	41,06	38,77	41,12	38,83	41,18	38,94
Short Circuit Current	I _{sc} [A]	13,92	11,26	14,02	11,34	14,12	11,42	14,22	11,50	14,25	11,52	14,29	11,55	14,32	11,60
Module Efficiency	Eff [%]	22,1		22,3		22,6		22,8		23,1		23,3		23,5	
Maximum Series Fuse	I _R [A]	25													
Maximum System Voltage	V _{sys} [V]	1500V DC (IEC)													

(1) Measurement Tolerances: P_{max} (± 3%), I_{sc} & V_{oc} (± 3%) - Power Classification 0/+5W

(2) STC (Standard Testing Condition): Irradiance 1000W/m², Cell Temperature 25°C, AM 1.5

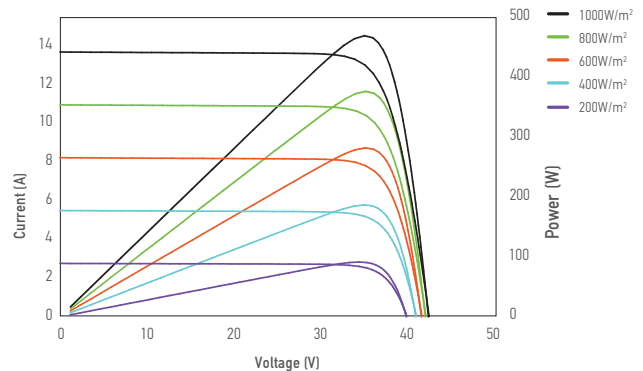
(3) NMOT (Nominal Operating Module Temperature): Irradiance 800W/m², NMOT, Ambient Temperature 20°C, AM 1.5, Wind Speed 1m/s

Mechanical Data

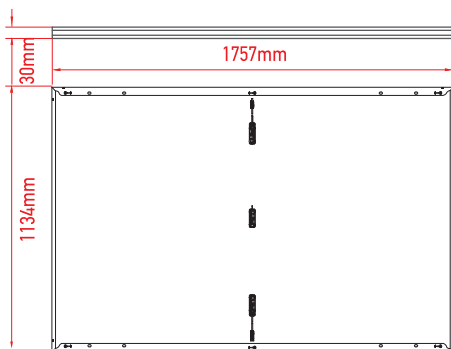
Dimensions	1757 mm x 1134 mm x 30 mm
Weight	21,5 Kg
Cell Type	N-Type 182mm x 91mm (2 x 54 Pcs) - G10
Front Glass	3.2 mm Tempered and low iron glass + ARC
Rear Side	Anti-aging film (Black)
Frame	Anodized Aluminium Alloy (Black)
Junction Box	IP68, 3 Bypass diodes
Connector	MC4 - EV02
Output cable	4mm ² - Length: 1200 mm or can be customized

I-V Curve

The module relative power loss at low light irradiance of 200W/m² is less than 3%.



Dimensions



RECOM assumes no liability or responsibility for any typographical error, layout error, misinformation, any other error, omission, contained herein.

Temperature Characteristics

P _{max} Temperature Coefficient	-0.26% / °C
V _{oc} Temperature Coefficient	-0.22% / °C
I _{sc} Temperature Coefficient	+0.05% / °C
Operating Temperature	-40~+85 °C
Nominal Operating Module Temperature (NMOT)	42 ± 2 °C

Packing Configuration

Container	40' HC
Pieces per Pallet	36
Pallets per Container	26
Pieces per Container	(36+36)x13=936 pcs

www.recom-tech.com

The specification and key features described in this datasheet may deviate slightly and are not guaranteed. Due to on-going innovation, research and product enhancement, RECOM Technologies reserves the right to make any adjustment to the information described herein at any time without notice. Please always obtain the most recent version of the datasheet which shall be duly incorporated into the binding contract made by the parties governing all transactions related to the purchase and sale of the products described herein. Please read the safety and installation instructions before using the modules.