

Zeus String Solar Inverter

RCM 275-TP-M-HV



RECOM



More power generation

- Max. efficiency 99.03%, Euro efficiency 98.80%
- 12MPPTs for tracking maximum PV power
- Supports bifacial PV modules with max. PV current 20A



Low system cost

- Up to 24 PV strings
- Support aluminum cable access, saving cable costs



High reliability

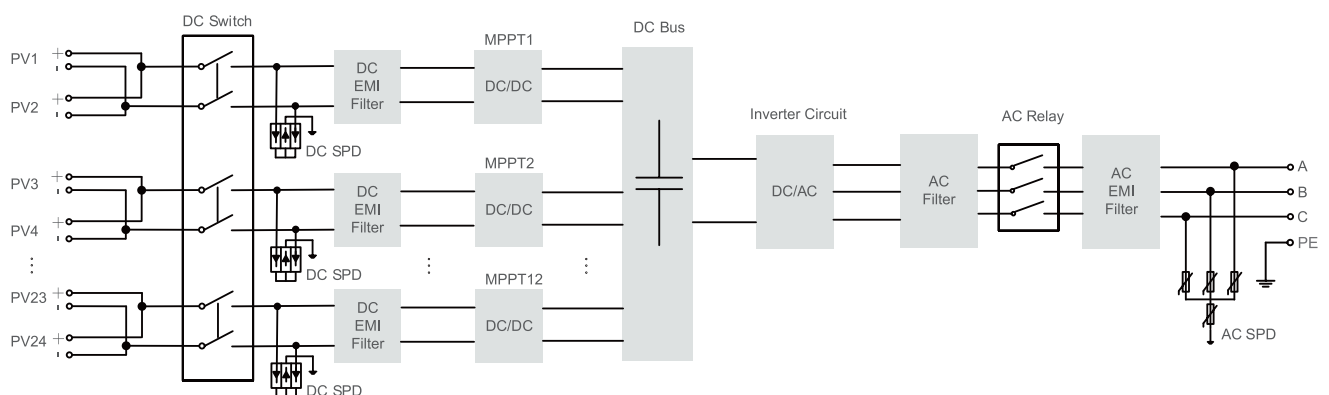
- Cooling fan with IP68 protection level
- Integrated string monitoring function
- Standard connection terminal for quick installation



Grid friendly

- Active power derating and reactive power adjustable
- Low harmonics and fast response for grid regulation

Circuit



TECHNICAL PARAMETERS

Input (DC)	RCM 275-TP-M-HV
Max. PV input voltage	1500V
MPPT Max. input current	40A*12
MPPT Max. short-circuit current	60A*12
Min. start-up DC voltage	600V
Rated input voltage	1080V
MPP voltage range	500~1500V
MPP voltage range for nominal power	880~1300V
Number of MPPT trackers	12
Max. number of PV strings per MPPT	2
Output (DC)	
Rated output power	275kW@30°C, 250kW@45°C, 225kW@50°C
Max. output power	275kW
Rated grid voltage	800V
Grid voltage range	680~880V
Max. output current	198.5A
Rated grid frequency / range	50Hz/45~55Hz, 60Hz/55~65Hz
Output current harmonic(at nominal power)	<3%
Power factor at nominal power / range	>0.99/0.8 leading to 0.8 lagging
DC injection	<3%
Protection	
DC reverse connection protection	Yes
Overvoltage protection	DC Type II/AC Type II
Leakage current protection	Yes
Grid monitoring	Yes
Insulation monitoring	Yes
Anti-island protection	Yes
Efficiency	
Max. Efficiency	99,03%
EU efficiency	98,80%
General Data	
Isolation method	Transformerless
Self-consuming in night	<3.5W
Protection level	IP66
Noise	<60dB
Temperature	- 30°C~+ 60°C
Allowed humidity(non condensing)	0-100%
Cooling mode	Temperature controlled forced air cooling
Max.operating altitude	5000m (>4000m derating)
Communication port	Standard:PLC, RS485
Dimensions (W×H×D)	1180×733×350mm
Weight	130kg
AC cabling cross section	70 to 300 mm ²
DC cabling cross section	4 to 6 mm ²
Communication cabling	1 to 1,5 mm ²
Warranty	5 years